

3 pin Micro Switch

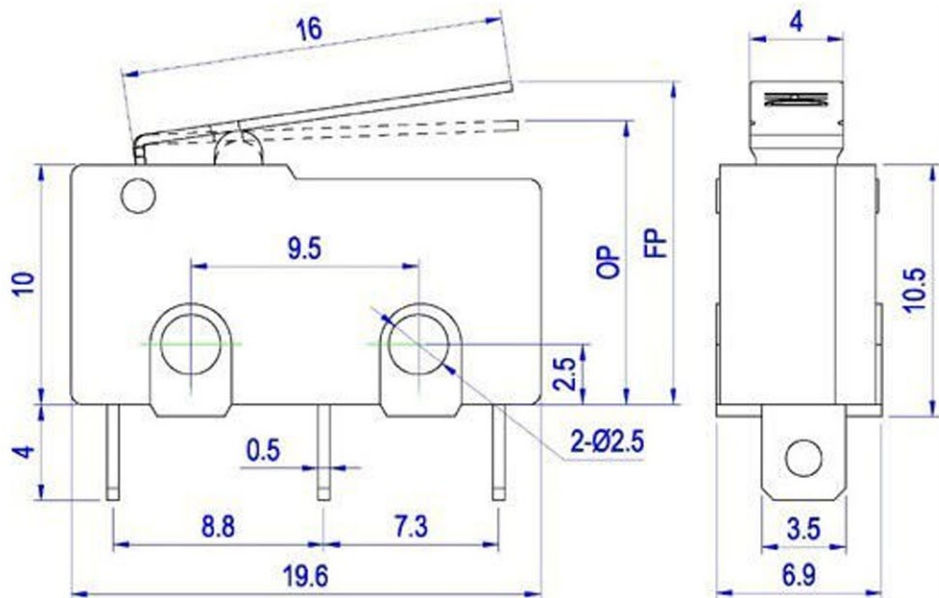
SPDT, 5A

Pins

C: Common
NO: Normally Open
NC: Normally Closed



Dimensions



Electrical Specifications

Max. Voltage	3A at 250VAC
Max. Current	5A at 125VDC
Contact Resistance	$\leq 20\text{mOhms}$
Insulation Resistance	$\geq 100\text{MOhms}$
Operational Life	100,000 cycles
Operational Range	0.5 - 1.1mm
Operational Tolerance	$\leq 0.3\text{mm}$
Operation Pressure	0.3 - 1.2N

Units	mm			



Bilby3D.com.au
+61 2 8197 3928
452 Wyndham Lane,
Kanoona, NSW, 2550
Australia

This datasheet prepared from
Manufacturer's Data.
10th November 2014